

Parts List, V-30, Left Hand Conventional Head
Left Hand V-30 Conventional Boring Head

Customer:

Customer order number:

Order date:

Delivery Date:

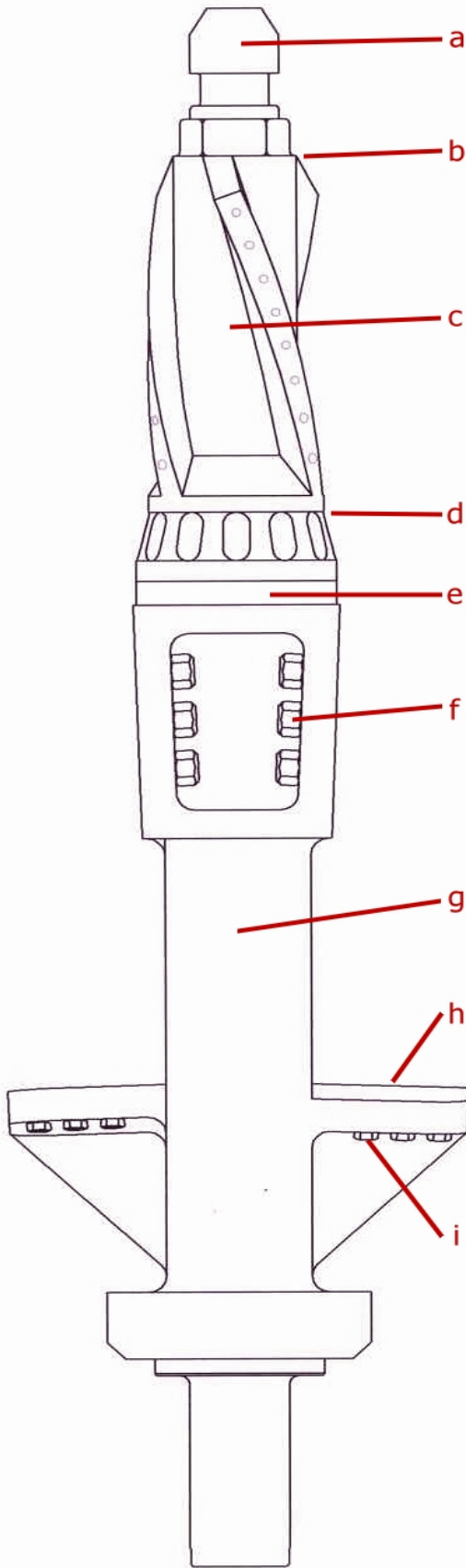
Serial Number



Communiquer avec nous pour commander des pièces:
1161, des Manufacturiers
Val D'Or, Québec, Canada, J9P 6Y7
tel. 819-825-4657 ext 223
fax. 819-825-2141



Parts List V-30 LH Body Related Parts



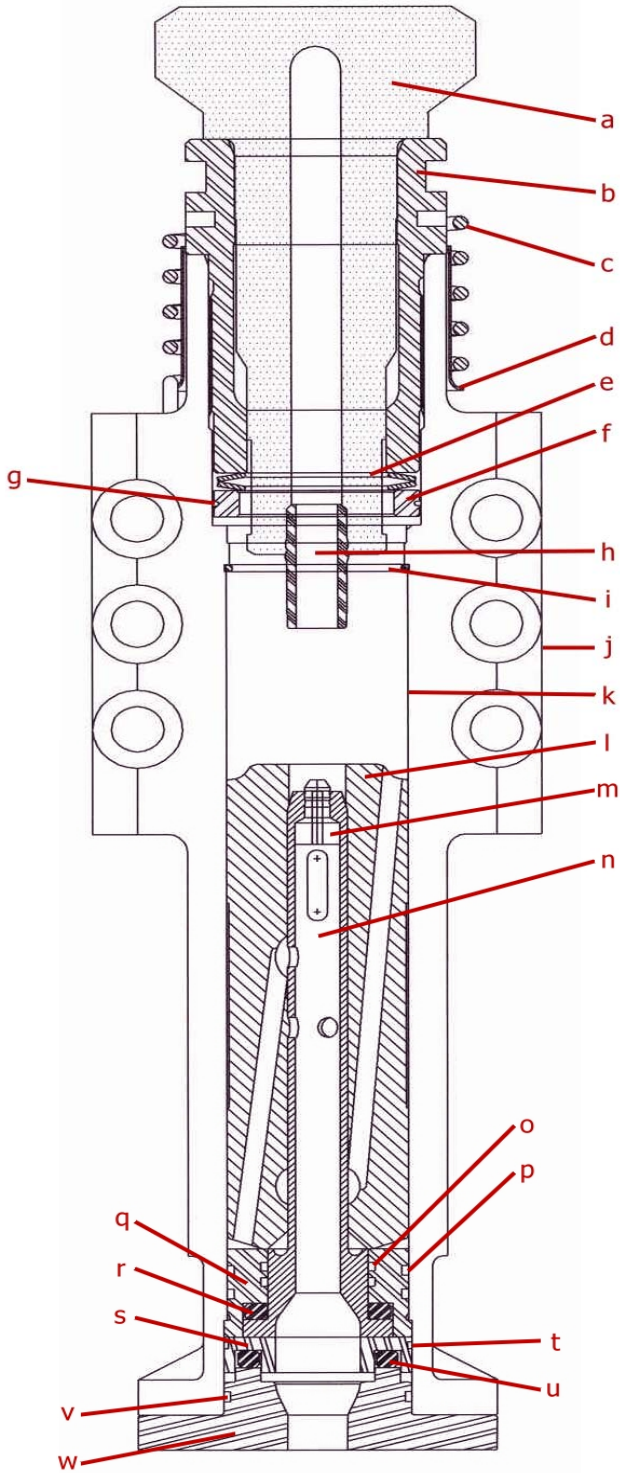
Parts List V-30 LH Body Related Parts

Tag	LH V-30 Item #	Qty	Description	Unit \$
	001-1481		Main Axle, V-30 Conventiional (1)	
b	001-0545		Oring Upper, V-30 Centralizer (1)	
	001-1561		Centralizer, V-30 Conventiional (1)	
d	001-0548		Oring Lower, V-30 Centralizer (1)	
e	001-0107		Lock Ring, V-30 Blind Boring Centralizer(1)	
	001-0859		Bolt Kit Upper, V-30 Hammer (12)	
	001-0104		Body, V-30 Conventional(1)	
h	001-0123		Oring, V-30 Hammer Seat (2)	
	001-1274		Bolt Kit Lower, V-30 Hammer (12)	

N/A = Not Applicable



Left Hand Rotation V-30 Hammer Related Parts



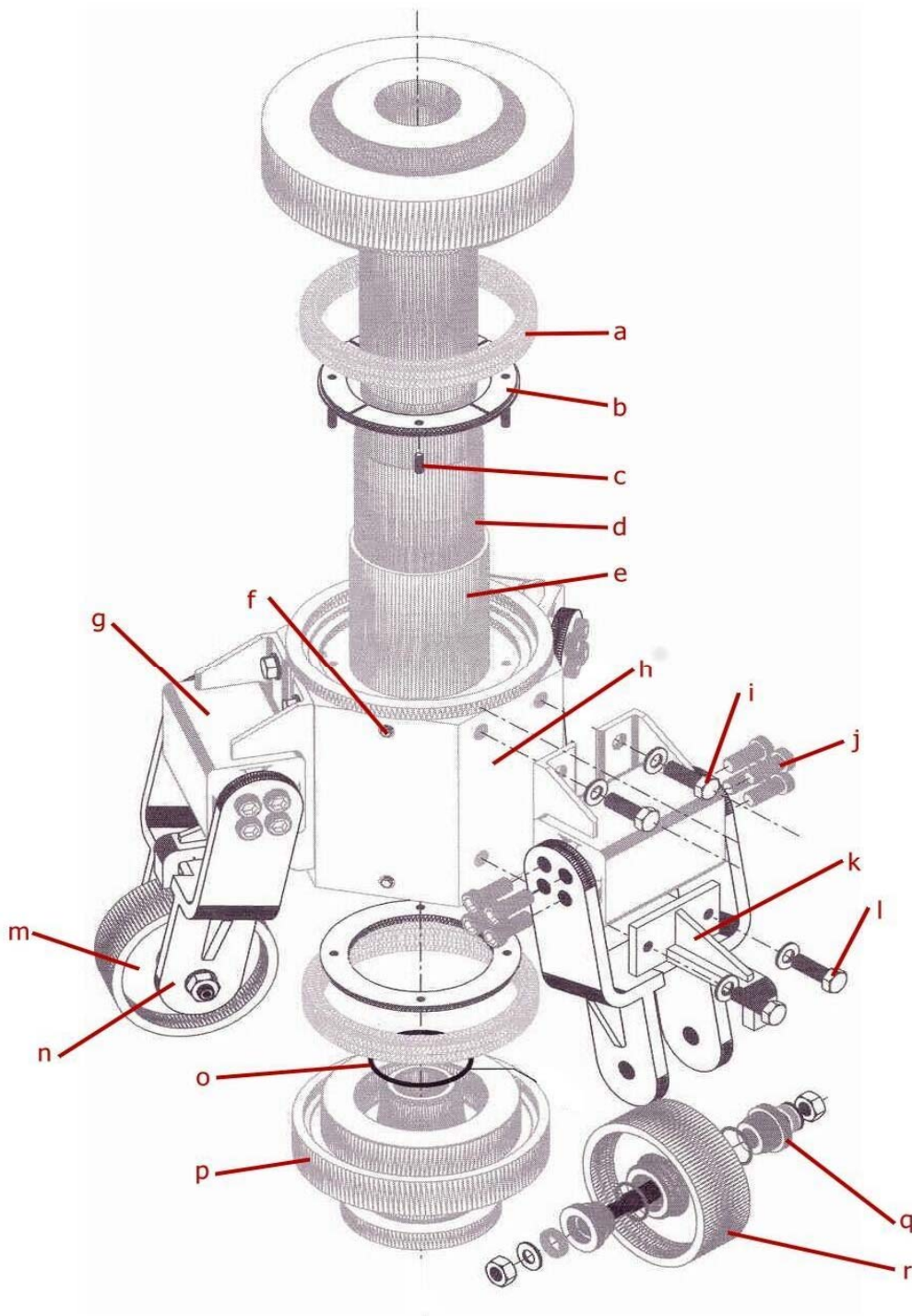
Left Hand Rotation V-30 Hammer Related Parts

Tag	LH V-30 Item #	Qty	Description
a	005-8000		8" Bit, V-30 Digger (2)
b	001-9601		Drive Sub, V-30 Digger Hammer (2)
c	001-0419		Torsion Spring, V-30 Hammer (2)
d	001-0444		Wear Sleeve, V-30 Hammer (2)
e	001-0921		Impact Spring, V-30 Digger Hammer Piston (4)
f	001-0881		Bit Retainer Ring Kit, V-30 Digger Hammer (2)
g	001-0901		Oring, V-30 Digger Hammer Retainer Ring (2)
h	001-0431		Exhaust Tube, V-30 Bit (2)
i	001-0981		Retainer Ring, V-30 Digger Hammer Piston (2)
j	006-9951		Hammer Assembly, V-30 (2)
l	001-0941		Piston, V-30 Digger Hammer (2)
m	001-0998		Choke, V-30 Digger Hammer (2)
n	001-0994		Control Tube, V-30 Digger Hammer (2)
o	001-1005		Oring Internal, V-30 Digger Hammer C T M (4)
p	001-1008		Oring External, V-30 Digger Hammer C T M (4)
q	002-6794		Mount, V-30 Digger Hammer Control Tube (2)
r	001-1002		Rubber, V-30 Digger Hammer C T M (2)
s	001-0986		Housing, V-30 Digger Hammer Make Up Ring (2)
t	001-0989		Oring, V-30 Digger Hammer M U R H (2)
u	001-0983		Rubber, V-30 Digger Hammer M U R H (2)
v	001-0961		Oring, V-30 Digger Hammer Flanged Sub (2)
w	001-9715		Flanged Sub, V-30 Digger Hammer (2)

M U R H = short term for Make Up Ring Housing
 C T M = short term for Control Tube Mount
 N/A = Not Applicable



Left Hand Rotation V-30 Oil Stabilizer Related Parts



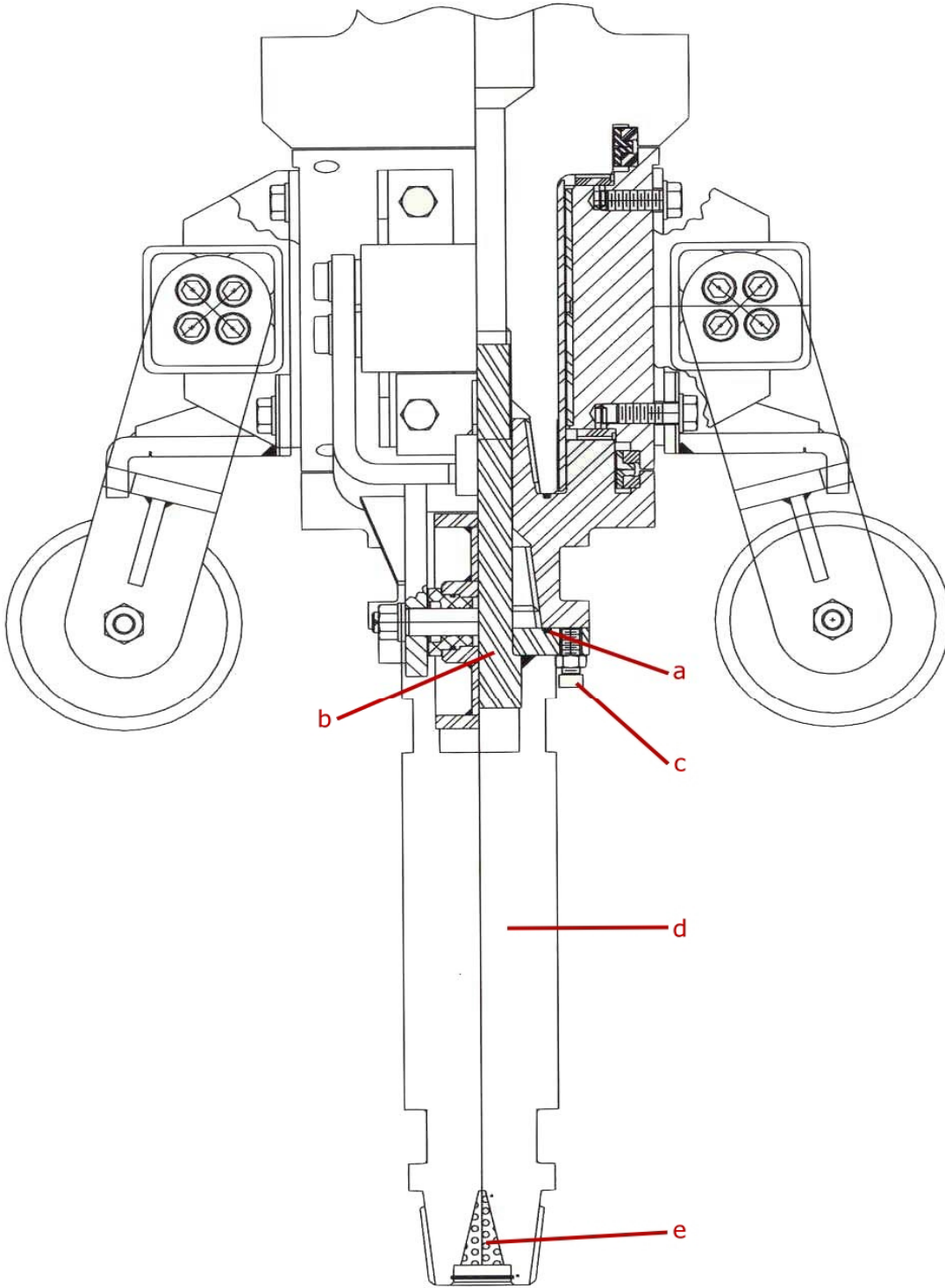
Left Hand Rotation V-30 Oil Stabilizer Related Parts

Tag	LH V-30 Item #	Qty	Description	Unit \$
a	002-0150		Seal Upper & Lower, V-30 Oil Stabilizer Cage (2)	
	001-7605		Seal Upper, V-30 Oil Stabilizer Cage (1)	
	001-7571		Seal Lower, V-30 Oil Stabilizer Cage (1)	
b	001-0143		Thrust Washer, V-30 Stabilizer (2)	
c	001-0317		Pin, V-30 Stabilizer Thrust Washer (8)	
d	001-0196		Wear Sleeve, V-30 Stabilizer (1)	
e	001-0135		Sleeve Bearing, V-30 Stabilizer (1)	
f	001-1681		Plug, V-30 Oil Stabilizer (4)	
	040-5000		Zert, V-30 Grease Satbilizer (4)	
g	001-0142		Suspension Joint, V-30 Stabilizer (3)	
h	001-0130		Cage, V-30 Oil Stabilizer (1)	
i	020-0012		Bolt Kit Upper, V-30 Suspension Joint (6)	
j	020-0208		Bolt Kit, V-30 Fork To Suspension Joint (24)	
k	001-0152		Hook, V-30 Stabilizer (3)	
l	020-0013		Bolt Kit Lower, V-30 Suspension Joint & Hook (6)	
n	001-0146		Fork, V-30 Stabilizer (3)	
o	001-0308		Oring Upper, V-30 Stabilizer Cover (1)	
p	001-9521		Cover, V-30 Oil Stabilizer (1)	
	002-9521		Cover, V-30 Grease Stabilizer (1)	
q	001-0164		Shaft Kit, V-30 Stabilizer Wheel (3)	
r	001-0153		Wheel, V-30 Stabilizer (3)	

N/A = Not Applicable



Left Hand Rotation V-30 Drive Shaft Related Parts



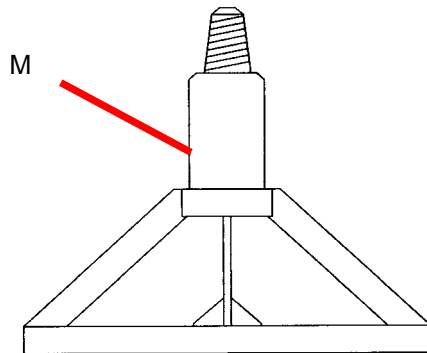
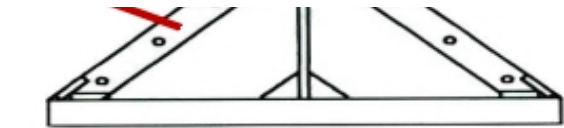
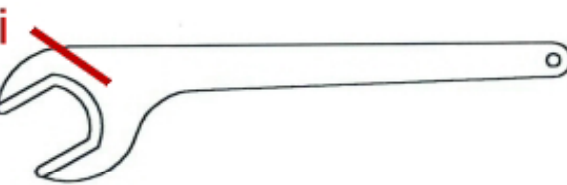
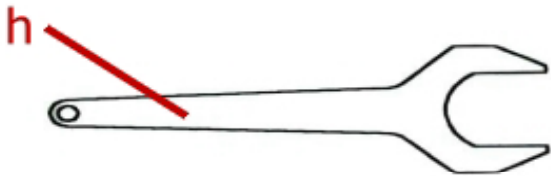
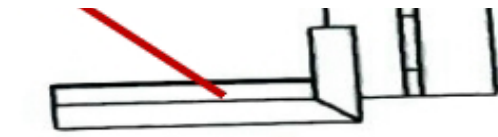
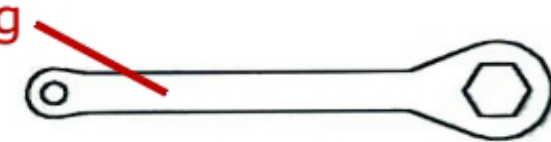
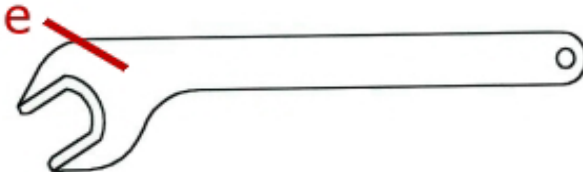
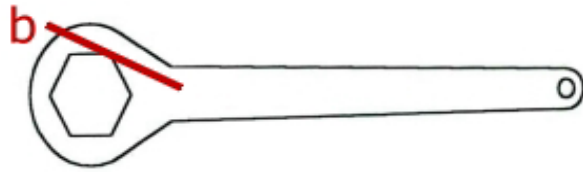
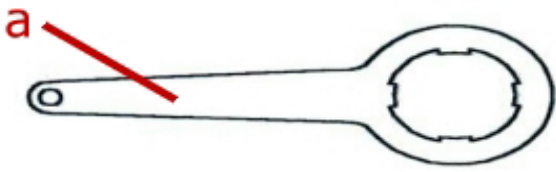
Left Hand Rotation V-30 Drive Shaft Related Parts

Tag	LH V-30 Item #	Qty	Description
a	001-0308		Oring Lower, V-30 Stabilizer Cover (1)
b	001-1022		Plug, V-30 Stabilizer Cover(1)
c	001-1274		Bolt Kit, V-30 Stabilizer Plug (4)
d	001-9501		Drive Shaft, V-30 28pin 30pin 21", (1)
e	001-1261		Strainer Kit, V-30 Drive Shaft (1)

N/A = Not Applicable



Left Hand Rotation V-30 Special Tools



Left Hand Rotation V-30 Special Tools

Tag	LH V-30 Item #	Qty	Description	Unit \$
a	001-1123		Wrench, V-30 Stabilizer Sleeve (1)	
b	001-1119		Wrench, V-30 Centralizer (1)	
c	001-1141		Lever, V-30 Digger Hammer Driver Sub (1)	
d	001-1112		Wrench, V-30 Torsion Spring (1)	
e	001-1101		Wrench, V-30 Drill Rod (1)	
g	001-1127		Wrench, V-30 Stabilizer Plug (1)	
h	001-1106		Wrench, V-30 Digger Hammer Driver Sub (1)	
i	001-1132		Wrench, V-30 Stabilizer Cover (1)	
j	001-0841		Centralizer, V-30 Rod (1 per 25ft)	
k	001-1109		Extractor, V-30 Bit Exhaust Tube (1)	
l	001-1144		Wrench, V-30 Hammer Upper Nuts (1)	
M	001-0853		Scraper, Raise Face (1)	
	001-1161		Thread Adapter, 21F/28M	

TBA = To Be Announced
N/A = Not Applicable



	DESCRIPTION	PART NO.	3 MONTHS	UNIT COST	TOTAL COST	USEFUL LIFE
	CONSUMABLES					
	Torsion Spring, V-30 Hammer (2)	001-0419	20			Requires change with every bit change
	8" Bit, V-30 (2)	005-8000	8			Approximately every 30 meters
	6" to 10" Reamer Bit	90515042	1			
	6.5 inch Atlas Copco bits	90515617	2			
	6 inch Atlas Copco Gold Series Hammer	89000978	1			
	Driver Sub	89000961	1			
	Top Sub	89000464	1			
	5 inch x 6 feet, 28 thread rods	591	25			
	Bit sharpening grinder 961-5019-00	VS-220 HD	1			
	Grinding stone No 16	800-0016	10			
	Grinding stone No 18	800-0018	8			
	Exhaust Tube, V-30 Bit (2)	001-0431	20			Occasional breakage due to mishandling or while drilling. Will require more frequent change when driver sub is worn.
	Wear Sleeve, V-30 Hammer (2)	001-0444	20			Normally changed at same time as torsion spring.
	Bit Retainer Ring Kit, V-30 Hammer (2)	001-0881	10			Durability depending on operator training & competency.
	O-ring, Hammer retainer ring	001-0901	50			Change with bit change if required.
	Impact Spring, V-30 Hammer Piston (4)	001-0921	20			Approximately every bit chane.
	Bolt Kit Lower, V-30 Hammer (12)	001-1274	12			Occasional - when required
	Bolt Kit Upper, V-30 Hammer (12)	001-0859	12			Occasional - when required
	Sub Total - Consumables					
	II- SPARE PARTS					
	Oring, V-30 Hammer Seat (2)	001-0123	2			When replacing hammer or internal parts.
	Hook, V-30 Stabilizer (3)	001-0152	3			Occasional - as required
	Bolt Kit Lower, V-30 Suspension Joint & Hook (6)	020-0013	6			When replacing hook
	Retainer Ring, V-30 Hammer Piston (2)	001-0981	2			Very seldom
	Drive Shaft, V-30 30pin 30pin 21", (1)	001-9501	1			Approximately every 300 meters unless abusive wear.
	Suspension Joint, V-30 Stabilizer (3)	001-0142	3			In good ground conditions & when used according to operator manual, suspension joint should last 300 meters.
	Centralizer	001-1561				Under normal wear conditions centralizer should need to be re-built once per year or upon V-30 rebuild.
	Sub Total - Spare Parts					
	III - V-30 SPECIAL TOOLS					
a	Wrench, V-30 Stabilizer Sleeve (1)	001-1123	1			
b	Wrench, V-30 Centralizer (1)	001-1119	1			
c	Lever, V-30 Digger Hammer Driver Sub (1)	001-1141	1			
d	Wrench, V-30 Torsion Spring (1)	001-1112	1			
e	Wrench, V-30 Drill Rod (1)	001-1101	1			
g	Wrench, V-30 Stabilizer Plug (1)	001-1127	1			For conventional drilling only
h	Wrench, V-30 Digger Hammer Driver Sub (1)	001-1106	1			
i	Wrench, V-30 Stabilizer Cover (1)	001-1132	0			For blind drilling only
j	Centralizer, V-30 Rod (1 per 25ft)	001-0841	1			
k	Extractor, V-30 Bit Exhaust Tube (1)	001-1109	1			
l	Wrench, V-30 Hammer Upper Nuts (1)	001-1144	1			
M	Scraper, Raise Face (1)	001-0853	0			For blind drilling only
	Hooking Chain (1)	001-0750	1			
	Male Hook Adapter	001-0751	1			
	Female Hook Adapter	001-0752	1			
	Sub Total - V-30 Special Tools					
	Total Recommended Startup Inventory					